



AMD MEDICAL

INCORPORATED

Reganes™ Tuohy Style Epidural Needles

- ▲ Disposable
- ▲ Metal Hubs
- ▲ 8 Degree Bevel Angle



10 / Box

| | |
|----------|-----------------------------------|
| RM1435A | 14G x 3.5" Metal Hub |
| RM1730X | 17G x 3.0" Metal Hub, Depth Marks |
| RM1735A | 17G x 3.5" Metal Hub |
| RM1735CT | 17G x 3.8" Metal Hub, Depth Marks |
| RM1735D | 17G x 3.5" Metal Hub, Depth Marks |
| RM2025A | 20G x 2.5" Metal Hub |

Quality Innovation Economy

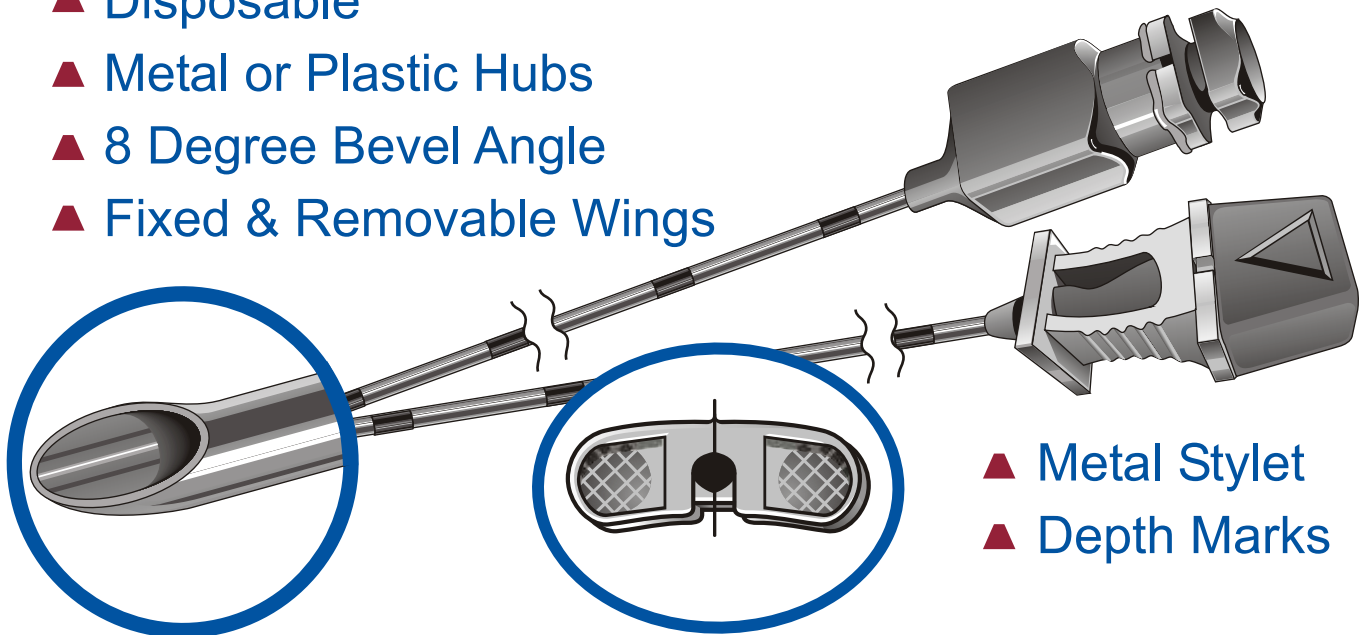
9000 Westmont Drive • Stonehouse Commerce Park • Toano, Virginia 23168 • USA
Phone: 888-564-7153 • 757-566-3510 • Fax: 757-566-4287 • Website: www.avidmedical.com



AVID MEDICAL INCORPORATED

Reganes™ Extra Long Tuohy Epidural Needle

- ▲ Disposable
- ▲ Metal or Plastic Hubs
- ▲ 8 Degree Bevel Angle
- ▲ Fixed & Removable Wings



- ▲ Metal Stylet
- ▲ Depth Marks

10 / Box

| | |
|----------|---|
| RP1705RW | 17G x 5" Plastic Hub, Removable Wing, Depth Marks |
| RM1705A | 17G x 5" Metal Hub, Depth Marks, No Wing |
| RP1706A | 17G x 6" Plastic Hub, Fixed Wing, Depth Marks |
| RP1805RW | 18G x 5" Plastic Hub, Removable Wing, Depth Marks |
| RP1806A | 18G x 6" Plastic Hub, Fixed Wing, Depth Marks |
| RP2005RW | 20G x 5" Plastic Hub, Removable Wing, Depth Marks |
| RP2006RW | 20G x 6" Plastic Hub, Removable Wing, Depth Marks |

Quality Innovation Economy

9000 Westmont Drive • Stonehouse Commerce Park • Toano, Virginia 23168 • USA
Phone: 888-564-7153 • 757-566-3510 • Fax: 757-566-4287 • Website: www.avidmedical.com



AVID MEDICAL

INCORPORATED

Weiss (Winged Style) Tuohy Epidural

- ▲ Disposable
- ▲ Plastic Hubs
- ▲ 8 Degree Bevel Angle
- ▲ Fixed & Removable Wings
- ▲ Depth Marks



10 / Box

| | |
|-----------|---|
| RP1635D | 16G x 3.5" Plastic Hub, Fixed Wing, Depth Marks, Metal Stylet |
| RP1735CT | 17G x 3.5" Plastic Hub, Removable Wing, Depth Marks, Metal Stylet |
| RP1735P | 17G x 3.5" Plastic Hub/Stylet, Fixed Wing, Depth Marks |
| RP1735MRW | 17G x 3.5" Plastic Hub, Removable Wing, Depth Marks, Metal Stylet |
| RP1735RW | 17G x 3.5" Plastic Hub/Stylet, Rem Wing, Depth Marks |
| RP1735D | 17G x 3.5" Plastic Hub, Fixed Wing, Depth Marks, Metal Stylet |
| RP1802D | 18G x 2.0" Plastic Hub, Fixed Wing, Depth Marks, Metal Stylet |
| RP1835CT | 18G x 3.5" Plastic Hub, Removable Wing, Depth Marks, Metal Stylet |
| RP1835P | 18G x 3.5" Plastic Hub/Stylet, Fixed Wing, Depth Marks |
| RP1835MRW | 18G x 3.5" Plastic Hub, Removable Wing, Depth Marks, Metal Stylet |
| RP1835RW | 18G x 3.5" Plastic Hub/Stylet, Rem Wing, Depth Marks |
| RP1835D | 18G x 3.5" Plastic Hub, Fixed Wing, Depth Marks, Metal Stylet |
| RP2035RW | 20G x 3.5" Plastic Hub, Removable Wing, Depth Marks, Metal Stylet |
| RP2235RW | 22G x 3.5" Plastic Hub, Removable Wing, Depth Marks, Metal Stylet |

Quality Innovation Economy

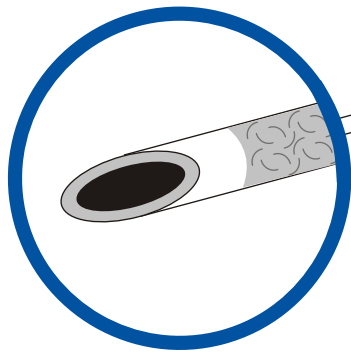
9000 Westmont Drive • Stonehouse Commerce Park • Toano, Virginia 23168 • USA
 Phone: 888-564-7153 • 757-566-3510 • Fax: 757-566-4287 • Website: www.avidmedical.com



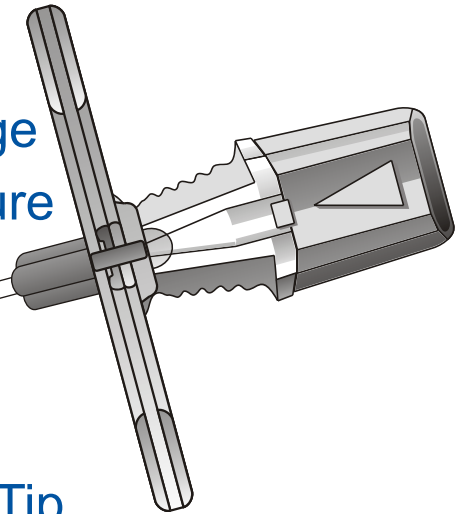
AVID MEDICAL
INCORPORATED

"Aldrete" Epidural Needle with Introducer

- ▲ Less Insertion Pain.
- ▲ PDPH Reduced Using Small Gauge Needles If Accidental Dural Puncture Occurs.



- ▲ Specially Designed Tip Maximizes Feel While Using "Loss of Resistance" Technique.



10 / Box

RP2503RWUS 25G x 3" Plastic Hub, Removable Wing,
Depth Marks with Introducer

Quality Innovation Economy

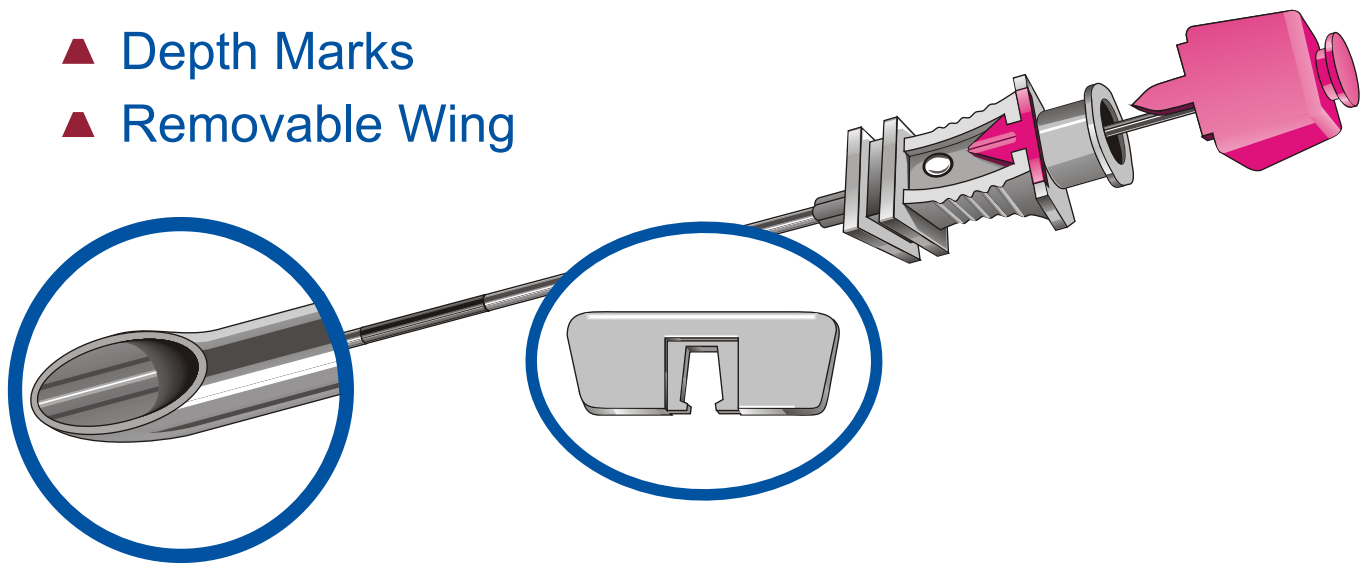
9000 Westmont Drive • Stonehouse Commerce Park • Toano, Virginia 23168 • USA
Phone: 888-564-7153 • 757-566-3510 • Fax: 757-566-4287 • Website: www.avidmedical.com



AVID MEDICAL
INCORPORATED

Reganes™ UBI Disposable Tuohy Epidural Needles

- ▲ Unmistakable Bevel Indicator
- ▲ Depth Marks
- ▲ Removable Wing



10 / Box

| | |
|-----------|---|
| RU1635MRW | 16G x 3.5" Metal Stylet, Removable Wing |
| RU1735MRW | 17G x 3.5" Metal Stylet, Removable Wing |
| RU1735RW | 17G x 3.5" Plastic Stylet, Removable Wing |
| RU2035MRW | 20G x 3.5" Metal Stylet, Removable Wing |

Quality Innovation Economy

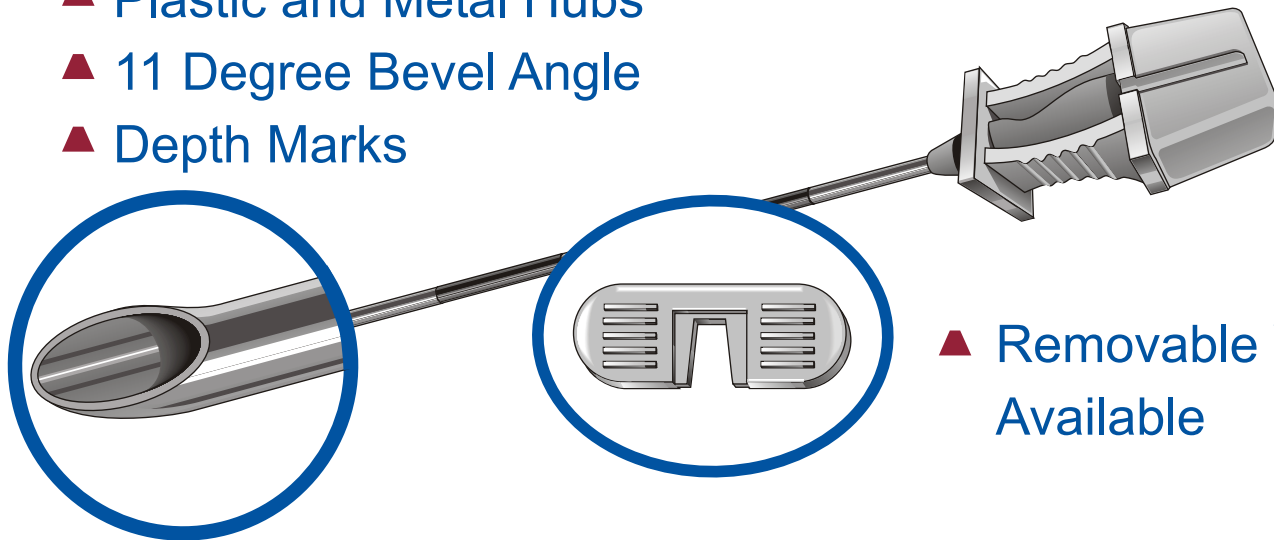
9000 Westmont Drive • Stonehouse Commerce Park • Toano, Virginia 23168 • USA
Phone: 888-564-7153 • 757-566-3510 • Fax: 757-566-4287 • Website: www.avidmedical.com



AVID MEDICAL INCORPORATED

Reganes™ Hustead Epidural Needles

- ▲ Disposable
- ▲ Plastic and Metal Hubs
- ▲ 11 Degree Bevel Angle
- ▲ Depth Marks



- ▲ Removable Wing Available

10 / Box

RP1735BPR 17G x 3.5" Plastic Hub/Stylet, Rem Wing, Depth Marks

RP1835BPR 18G x 3.5" Plastic Hub/Stylet, Rem Wing, Depth Marks,
Metal Stylet

RP2035BRW 20G x 3.5" Plastic Hub, Removable Wing, Depth Marks,
Metal Stylet

RM1835H 18G x 3.5" Metal Hub, Depth Marks, No Wing

Quality Innovation Economy

9000 Westmont Drive • Stonehouse Commerce Park • Toano, Virginia 23168 • USA
Phone: 888-564-7153 • 757-566-3510 • Fax: 757-566-4287 • Website: www.avidmedical.com



AMD MEDICAL
INCORPORATED

Reganes™ Crawford Epidural Needles

- ▲ Disposable
- ▲ 45 Degree Primary Bevel with Back Bevels
- ▲ Depth Marks
- ▲ No Wing



10 / Box

| | |
|---------|--------------------------------------|
| RP1735C | 17G x 3.5" Plastic Hub, Metal Stylet |
| RP1835C | 18G x 3.5" Plastic Hub, Metal Stylet |

Quality Innovation Economy

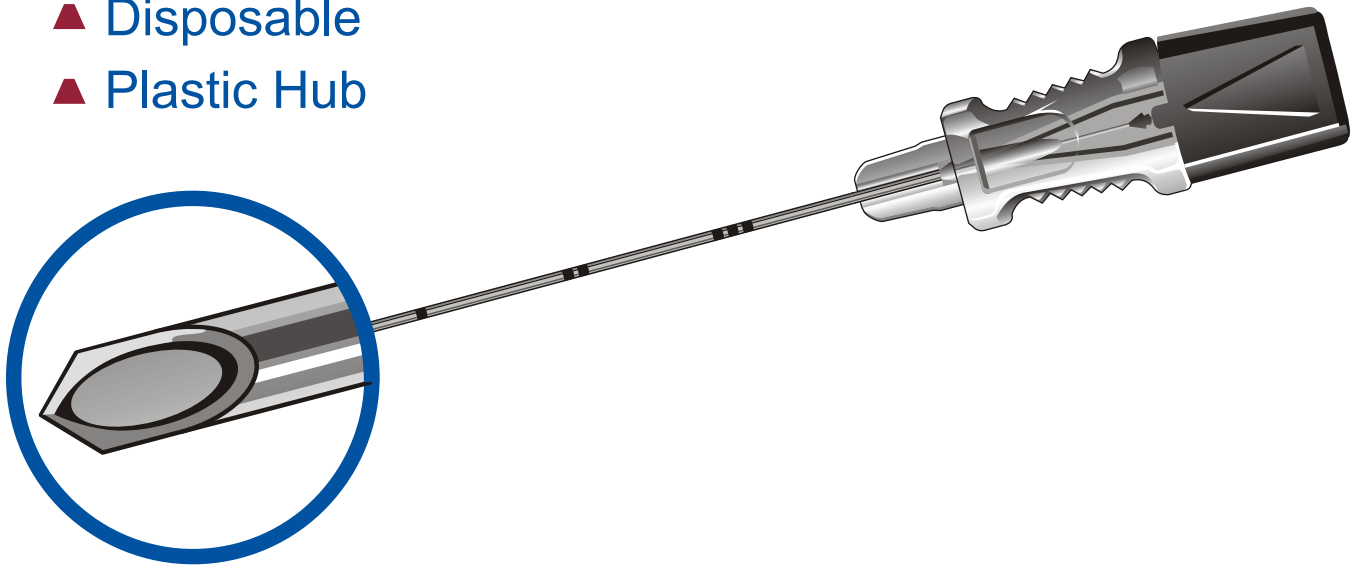
9000 Westmont Drive • Stonehouse Commerce Park • Toano, Virginia 23168 • USA
Phone: 888-564-7153 • 757-566-3510 • Fax: 757-566-4287 • Website: www.avidmedical.com



AMD MEDICAL
INCORPORATED

Reganes™ Caudal Block Needles

- ▲ Disposable
- ▲ Plastic Hub



10 / Box

RPCN22015 22G x 1.5" Plastic Hub

Quality Innovation Economy

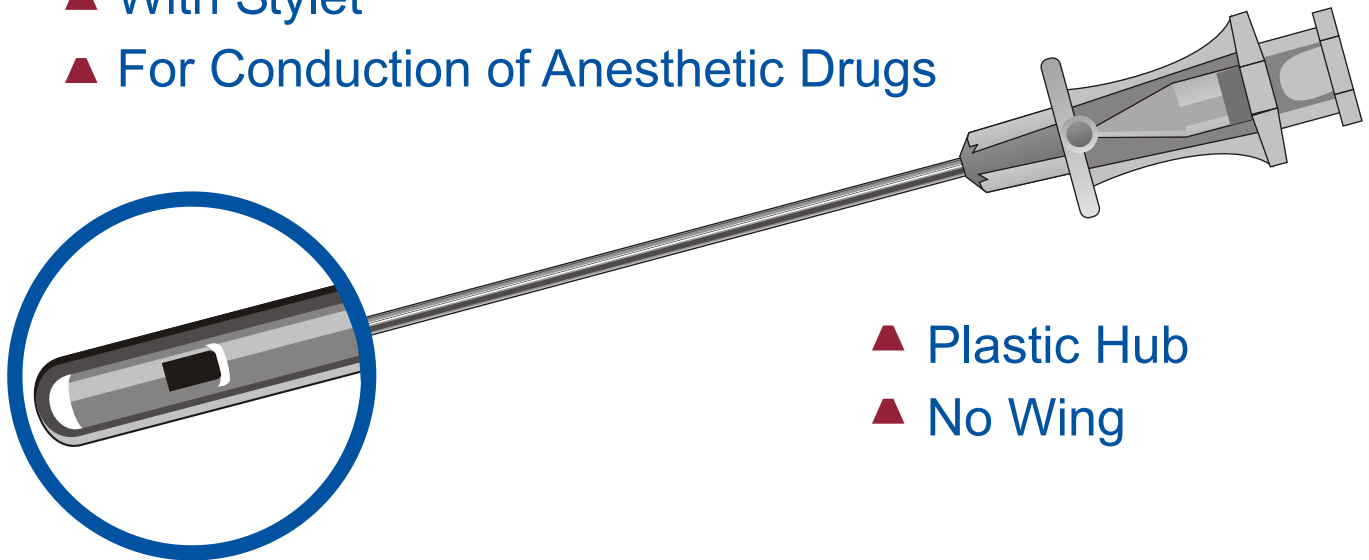
9000 Westmont Drive • Stonehouse Commerce Park • Toano, Virginia 23168 • USA
Phone: 888-564-7153 • 757-566-3510 • Fax: 757-566-4287 • Website: www.avidmedical.com



AMD MEDICAL
INCORPORATED

Lutz Style Epidural with Introducer

- ▲ Side Hole Style, Bullet Tip
- ▲ With Stylet
- ▲ For Conduction of Anesthetic Drugs



- ▲ Plastic Hub
- ▲ No Wing

10 / Box

RPLN2035 20G x 3.5"
RPLN2006 20G x 6.0"

Quality Innovation Economy

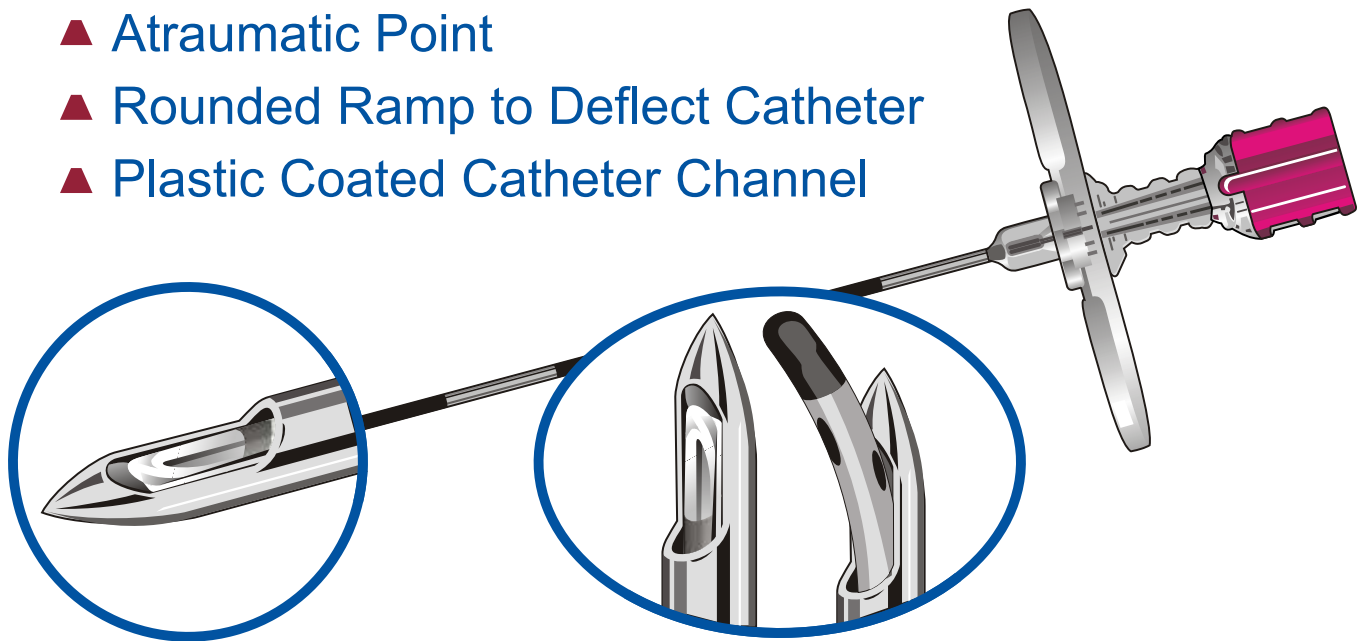
9000 Westmont Drive • Stonehouse Commerce Park • Toano, Virginia 23168 • USA
Phone: 888-564-7153 • 757-566-3510 • Fax: 757-566-4287 • Website: www.avidmedical.com



AVID MEDICAL
INCORPORATED

Special Sprotte[®] Epidural Needle

- ▲ Atraumatic Point
- ▲ Rounded Ramp to Deflect Catheter
- ▲ Plastic Coated Catheter Channel



10 / Box

0011151-54

18G x 3.5" Special Sprotte Ramped Epidural Needle

Quality Innovation Economy

9000 Westmont Drive • Stonehouse Commerce Park • Toano, Virginia 23168 • USA
Phone: 888-564-7153 • 757-566-3510 • Fax: 757-566-4287 • Website: www.avidmedical.com



AMD MEDICAL
INCORPORATED

Reganes™ Whitacre Point Spinal Needles

- ▲ Disposable, Pencil Point Style
- ▲ Plastic Hub
- ▲ Whitacre Style Side Hole
- ▲ Long Lengths Available



10 / Box

| | |
|-----------|----------------------------|
| RPPN2235 | 22G x 3.5" |
| RPPN2435I | 24G x 3.5" with Introducer |
| RPPN2535I | 25G x 3.5" with Introducer |
| RPPN2547 | 25G x 4.75" |
| RPPN2550 | 25G x 5.0" |
| RPPN2735I | 27G x 3.5" with Introducer |
| RPPN2747 | 27G x 4.75" |
| RPPN2750 | 27G x 5.0" |

Quality Innovation Economy

9000 Westmont Drive • Stonehouse Commerce Park • Toano, Virginia 23168 • USA
Phone: 888-564-7153 • 757-566-3510 • Fax: 757-566-4287 • Website: www.avidmedical.com



AMD MEDICAL

INCORPORATED

Reganes™ Chiba Spinal Needles

- ▲ cm Calibrations
- ▲ Depth Guide
- ▲ Etched Tip



10 / Box

| | |
|-----------|---|
| RMCN2006 | 20G x 6.0" Chiba Needle |
| RMCN2206 | 22G x 6.0" Chiba Needle |
| RMCN2208 | 22G x 8.0" Chiba Needle |
| RMCN2203W | 22G x 3.5" Chiba Needle with Removable Wing |

Quality Innovation Economy

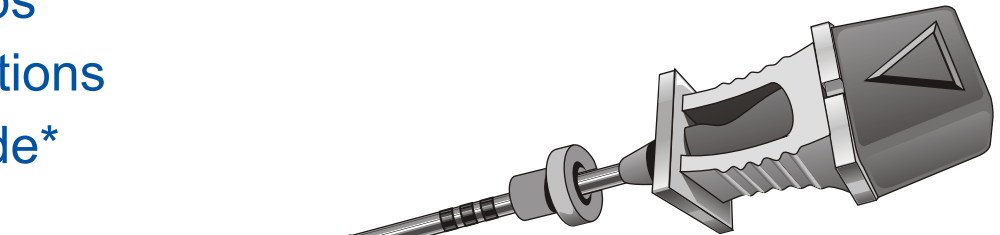
9000 Westmont Drive • Stonehouse Commerce Park • Toano, Virginia 23168 • USA
Phone: 888-564-7153 • 757-566-3510 • Fax: 757-566-4287 • Website: www.avidmedical.com



AMD MEDICAL INCORPORATED

Reganes™ Quincke Style Spinal Needles

- ▲ Disposable
- ▲ Plastic Hubs
- ▲ cm Calibrations
- ▲ Depth Guide*



*Depth Guides not included
on 25G needles

10 / Box

| | | | |
|-----------|------------|-----------|----------------------------|
| RMPS1803 | 18G x 3.5" | RMPS2204 | 22G x 4.0" |
| RMPS1806 | 18G x 6.0" | RMPS2206 | 22G x 6.0" |
| RMPS2002 | 20G x 2.0" | RMPS2207 | 22G x 7.0" |
| RMPS2003 | 20G x 3.5" | RMPS2208 | 22G x 8.0" |
| RMPS2006 | 20G x 6.0" | RMPS23025 | 23G x 2.5" |
| RMPS2202 | 22G x 2.0" | RMPS2303 | 23G x 3.5" |
| RMPS22025 | 22G x 2.5" | RMPS2503 | 25G x 3.5" w/o depth guide |
| RMPS22030 | 22G x 3.0" | RMPS2506 | 25G x 6.0" w/o depth guide |
| RMPS2203 | 22G x 3.5" | RMPS2508 | 25G x 8.0" w/o depth guide |

Quality Innovation Economy

9000 Westmont Drive • Stonehouse Commerce Park • Toano, Virginia 23168 • USA
Phone: 888-564-7153 • 757-566-3510 • Fax: 757-566-4287 • Website: www.avidmedical.com



AMD MEDICAL
INCORPORATED

Reganes™ Quincke Spinals without cm Marks

- ▲ Disposable
- ▲ Plastic Hubs



10 / Box

| | |
|----------|------------|
| RPS22011 | 22G x 1.0" |
| RPS22015 | 22G x 1.5" |
| RPS25011 | 25G x 1.0" |

Quality Innovation Economy

9000 Westmont Drive • Stonehouse Commerce Park • Toano, Virginia 23168 • USA
Phone: 888-564-7153 • 757-566-3510 • Fax: 757-566-4287 • Website: www.avidmedical.com



AMD MEDICAL INCORPORATED

Reganes™ Metal Hub Spinal Needles

- ▲ Disposable
- ▲ 1 cm Markings
- ▲ Quincke Type Point
- ▲ Metal Luer Lock



- ▲ With Metal Stylet
- ▲ Depth Guide
- ▲ Etched Tip

10 / Box

| | |
|-----------|---|
| RMMS18047 | 18G x 4.75" |
| RMMS18055 | 18G x 5.5" |
| RMMS20055 | 20G x 5.5" |
| RMMS2205 | 22G x 5.0", w/o depth guide, w/o etched tip |
| RMMS22055 | 22G x 5.5" |
| RMMS2206 | 22G x 6.0", w/o depth guide, w/o etched tip |
| RMMS25055 | 25G x 5.5" |
| RMMS2506 | 25G x 6.0", w/o depth guide, w/o etched tip |

Quality Innovation Economy

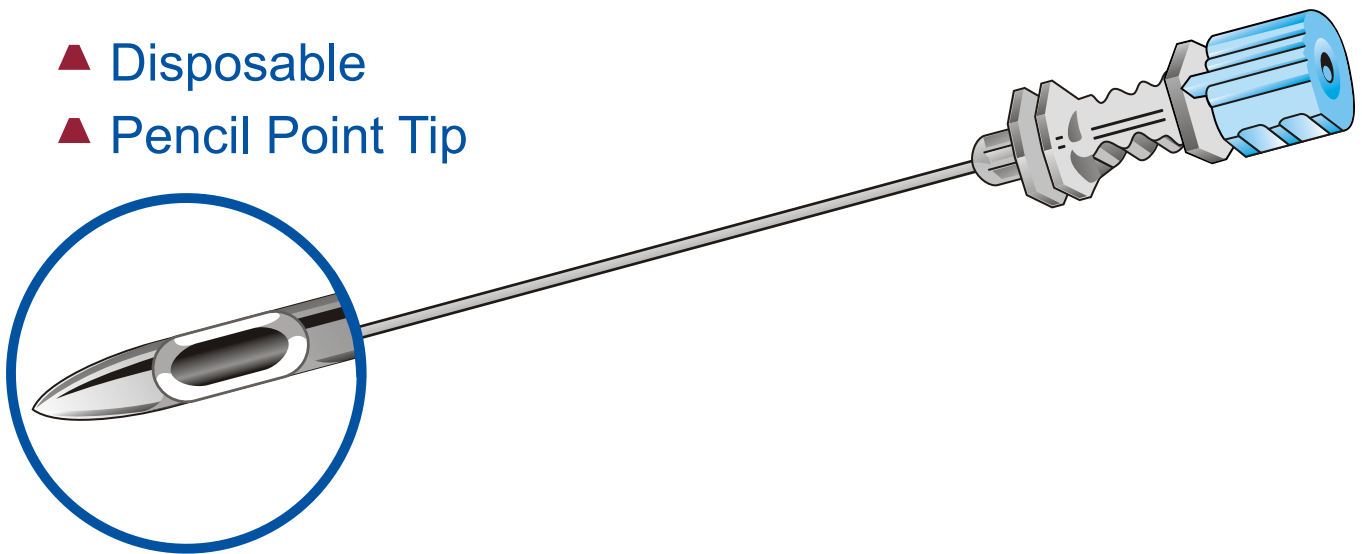
9000 Westmont Drive • Stonehouse Commerce Park • Toano, Virginia 23168 • USA
Phone: 888-564-7153 • 757-566-3510 • Fax: 757-566-4287 • Website: www.avidmedical.com



AMD MEDICAL INCORPORATED

Standard Sprotte[®] Spinal Needles *without Introducer*

- ▲ Disposable
- ▲ Pencil Point Tip



Individually
Packaged

| | | | | | |
|------------|-----------------------|--------------|------------------------|--------------|------------------------|
| 041151-31B | 20G x 2.75", (25/box) | 031151-30C | 22G x 4.75", (10/box) | 001151-29D | 25G x 1.00", (25/box) |
| 0001151-31 | 20G x 3.50", (25/box) | 041151-30C | 22G x 6.00", (10/box) | 001151-29E | 25G x 1.375", (25/box) |
| 0061151-31 | 20G x 4.75", (10/box) | 001151-30D | 24G x 1.00", (25/box) | 501151-29A | 25G x 3.50", (25/box) |
| 0041151-31 | 20G x 6.00", (10/box) | 001151-30E | 24G x 1.375", (25/box) | 031151-29A | 25G x 4.75", (10/box) |
| 001151-31A | 21G x 3.50", (25/box) | 001151-30B | 24G x 2.75", (25/box) | * 151151-29A | 25G x 4.875", (10/box) |
| 031151-31A | 21G x 4.75", (10/box) | 001151-30A | 24G x 3.50", (25/box) | 001151-27D | 27G x 1.00", (25/box) |
| 041151-31A | 21G x 6.00", (10/box) | 521151-30A | 24G x 4.00", (25/box) | * 131151-27A | 27G x 4.875", (10/box) |
| 051151-30C | 22G x 2.75", (25/box) | 031151-30A | 24G x 4.75", (10/box) | 131151-29A | 29G x 4.875", (10/box) |
| 001151-30C | 22G x 3.50", (25/box) | * 071151-30A | 24G x 4.875", (10/box) | | |
| 521151-30C | 22G x 4.00", (25/box) | 141151-30A | 24G x 6.00", (10/box) | | |

* This 123mm length needle is specifically designed for the Combined Spinal Epidural (CSE) Procedure

Quality Innovation Economy

9000 Westmont Drive • Stonehouse Commerce Park • Toano, Virginia 23168 • USA
Phone: 888-564-7153 • 757-566-3510 • Fax: 757-566-4287 • Website: www.avidmedical.com

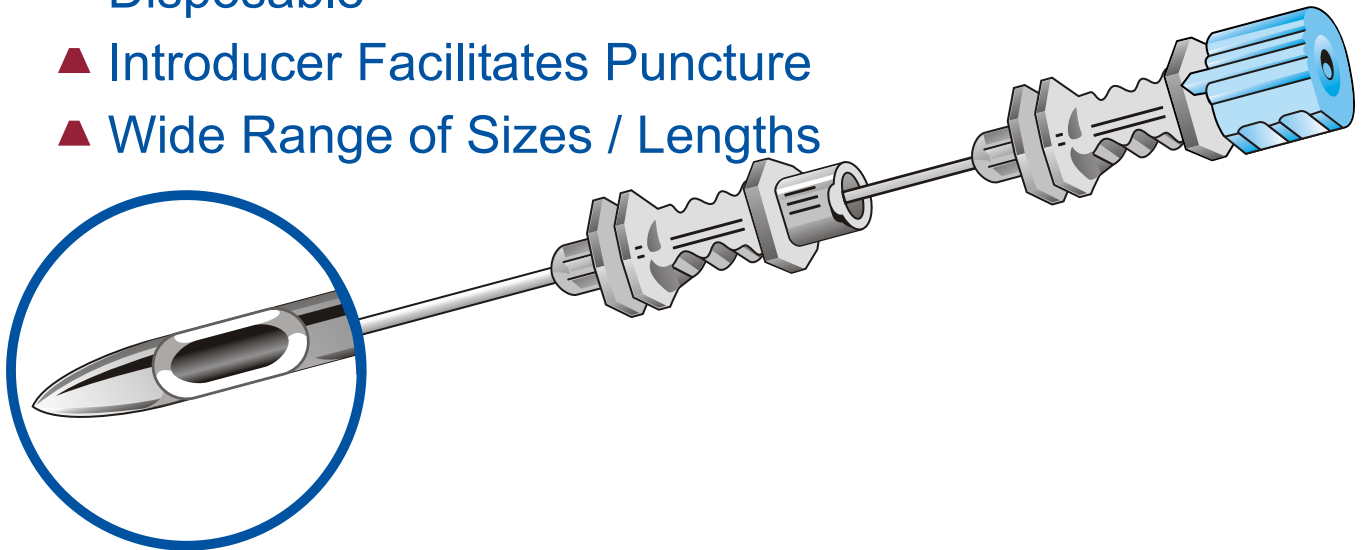


AMD MEDICAL

INCORPORATED

Standard Sprotte[®] Spinal Needles *with Introducer*

- ▲ Disposable
- ▲ Introducer Facilitates Puncture
- ▲ Wide Range of Sizes / Lengths



Individually
Packaged

| | | | |
|------------|-----------------------|------------|-----------------------|
| 051151-30B | 22G x 2.75", (25/box) | 021151-29B | 25G x 2.75", (25/box) |
| 021151-30C | 22G x 3.50", (25/box) | 021151-29A | 25G x 3.50", (25/box) |
| 221151-30C | 22G x 4.00", (25/box) | 041151-29A | 25G x 4.00", (25/box) |
| 131151-30C | 22G x 4.75", (10/box) | 051151-29A | 25G x 4.75", (10/box) |
| 141151-30C | 22G x 6.00", (10/box) | 021151-27B | 27G x 2.75", (25/box) |
| 021151-30B | 24G x 2.75", (25/box) | 021151-27A | 27G x 3.50", (25/box) |
| 121151-30A | 24G x 3.50", (25/box) | 041151-27A | 27G x 4.00", (25/box) |
| 021151-30A | 24G x 4.00", (25/box) | 031151-27A | 27G x 4.75", (10/box) |
| 041151-30A | 24G x 4.75", (10/box) | 501151-28A | 29G x 3.50", (25/box) |
| 131151-30A | 24G x 6.00", (10/box) | | |

Quality Innovation Economy

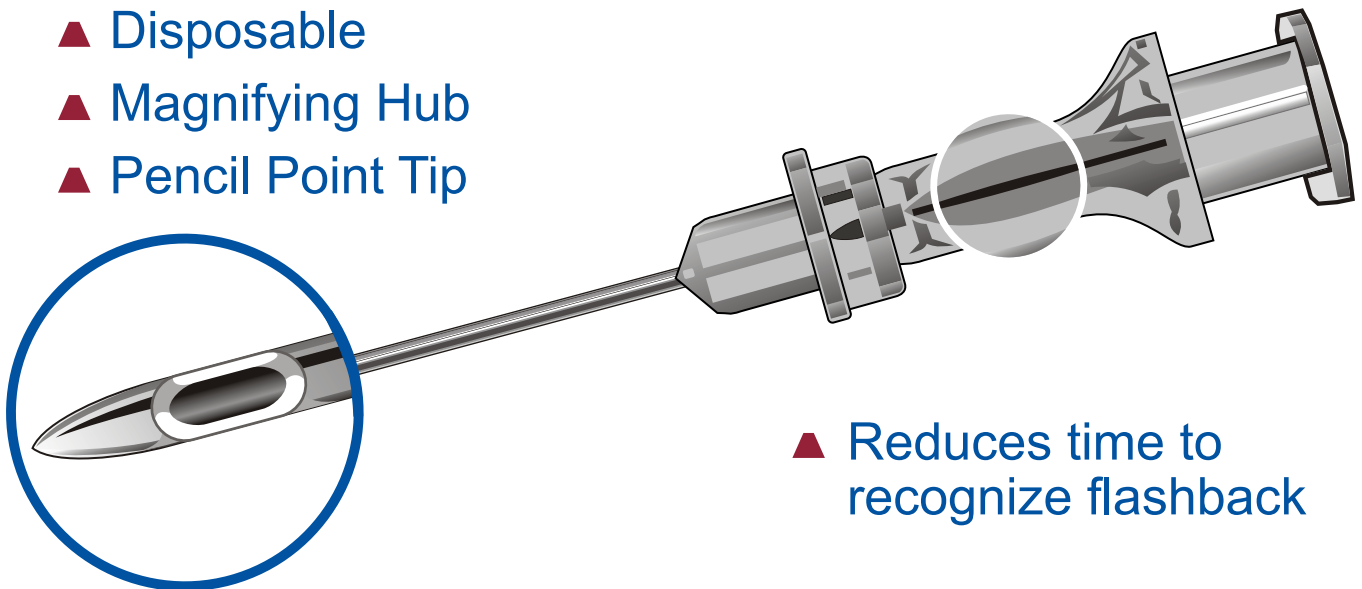
9000 Westmont Drive • Stonehouse Commerce Park • Toano, Virginia 23168 • USA
Phone: 888-564-7153 • 757-566-3510 • Fax: 757-566-4287 • Website: www.avidmedical.com



AVID MEDICAL
INCORPORATED

Sprotte[®] Spinal Needles with Magnifying Hub *without Introducer*

- ▲ Disposable
- ▲ Magnifying Hub
- ▲ Pencil Point Tip



- ▲ Reduces time to recognize flashback

10 / Box

251151-29A 25G x 4.80"
251151-27A 27G x 4.80"

Quality Innovation Economy

9000 Westmont Drive • Stonehouse Commerce Park • Toano, Virginia 23168 • USA
Phone: 888-564-7153 • 757-566-3510 • Fax: 757-566-4287 • Website: www.avidmedical.com



AVID MEDICAL

INCORPORATED

Sprotte[®] Spinal Needles with Magnifying Hub *with Introducer*

- ▲ Magnifying Hub
- ▲ Reduces Time to Recognize Flashback
- ▲ Pencil Point Tip



Individually
Packaged

| | |
|------------|-----------------------|
| 511151-29A | 25G x 3.50", (25/box) |
| 161151-29A | 25G x 4.00", (25/box) |
| 171151-29A | 25G x 4.75", (10/box) |
| 121151-27A | 27G x 3.50", (25/box) |
| 141151-27A | 27G x 4.00", (25/box) |
| 151151-27A | 27G x 4.75", (10/box) |
| 511151-28A | 29G x 3.50", (25/box) |

Quality Innovation Economy

9000 Westmont Drive • Stonehouse Commerce Park • Toano, Virginia 23168 • USA
Phone: 888-564-7153 • 757-566-3510 • Fax: 757-566-4287 • Website: www.avidmedical.com

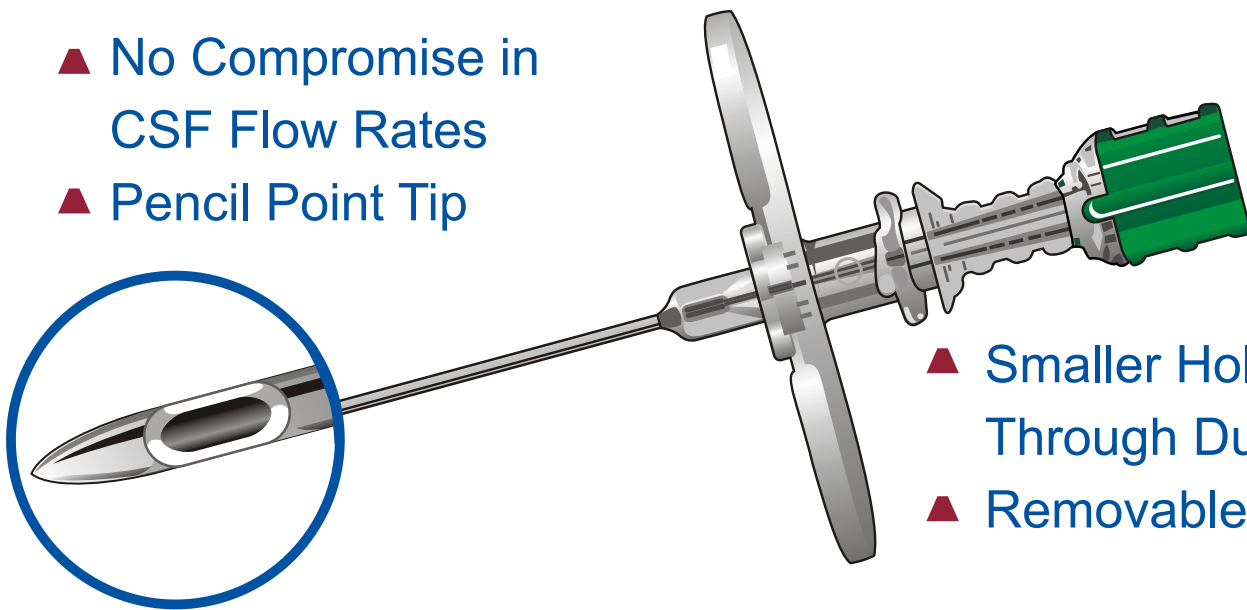


AMD MEDICAL

INCORPORATED

Sprotte[®] Lumbar Puncture Needles *with Introducer and Wing*

- ▲ No Compromise in CSF Flow Rates
- ▲ Pencil Point Tip



- ▲ Smaller Hole Left Through Dura
- ▲ Removable Wing

Individually
Packaged

| | |
|------------|-----------------------|
| 331151-31B | 20G x 3.50", (25/box) |
| 341151-31B | 20G x 4.00", (25/box) |
| 321151-31A | 21G x 3.50", (25/box) |
| 341151-31A | 21G x 4.00", (25/box) |
| 331151-31A | 21G x 4.75", (10/box) |
| 351151-30C | 22G x 2.75", (25/box) |
| 321151-30C | 22G x 3.50", (25/box) |
| 341151-30C | 22G x 4.00", (25/box) |
| 331151-30C | 22G x 4.75", (10/box) |

Quality Innovation Economy

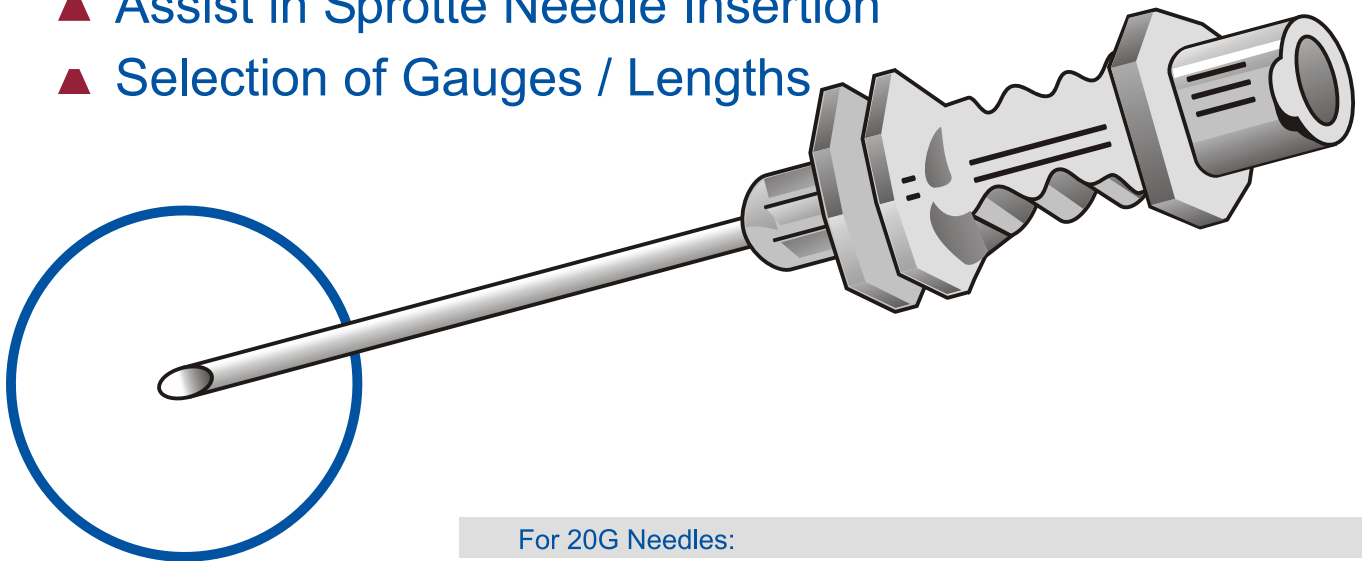
9000 Westmont Drive • Stonehouse Commerce Park • Toano, Virginia 23168 • USA
Phone: 888-564-7153 • 757-566-3510 • Fax: 757-566-4287 • Website: www.avidmedical.com



AMD MEDICAL INCORPORATED

Sprotte[®] Introducer Needles *Individually packaged*

- ▲ Assist in Sprotte Needle Insertion
- ▲ Selection of Gauges / Lengths



25 / Box

For 20G Needles:

061151-30L 18G x 1.18", (30mm)

For 21G Needles:

051151-30L 19.5G x 1.18", (30mm)

For 22G Needles:

001151-30L 19G x 1.18", (30mm)

001151-30M 19G x 1.575", (40mm)

For 24G and 25G Needles:

021151-30L 21G x 1.18", (30mm)

021151-30M 21G x 1.575", (40mm)

For 27G and 29G Needles:

071151-30L 22G x 1.18", (30mm)

071151-30M 22G x 1.575", (40mm)

Quality Innovation Economy

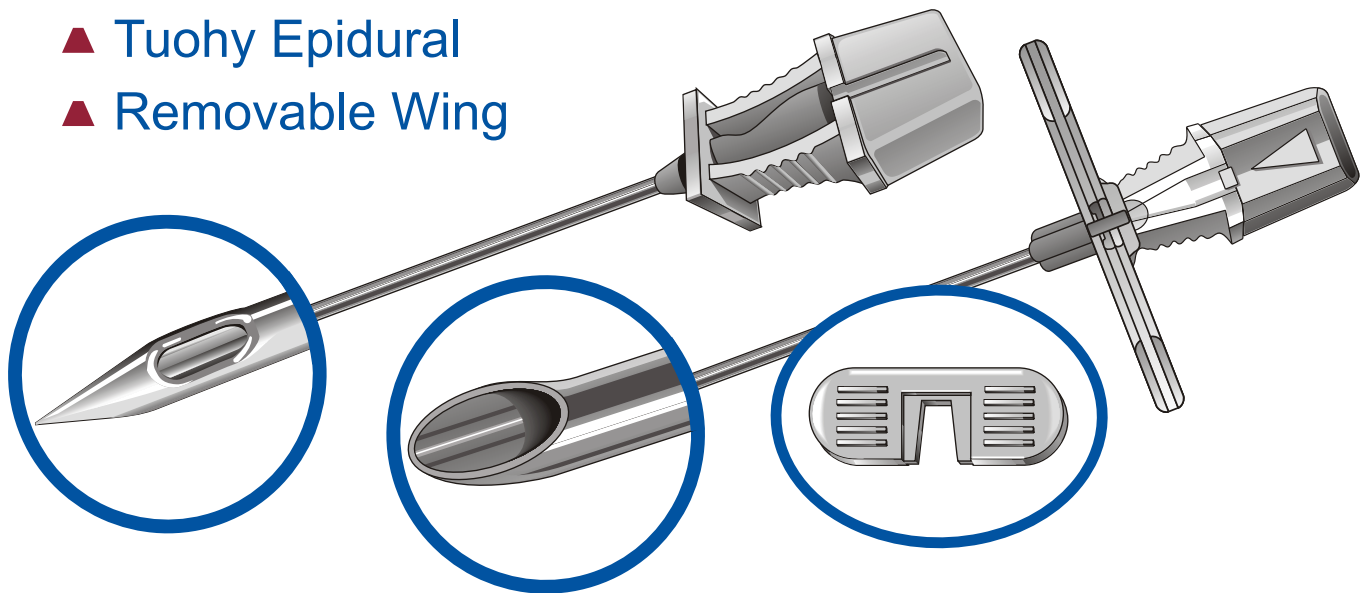
9000 Westmont Drive • Stonehouse Commerce Park • Toano, Virginia 23168 • USA
Phone: 888-564-7153 • 757-566-3510 • Fax: 757-566-4287 • Website: www.avidmedical.com



AVID MEDICAL INCORPORATED

Reganes™ Combined Spinal/Epidural Sets

- ▲ Whitacre Style Pencil Point Spinal
- ▲ Tuohy Epidural
- ▲ Removable Wing



10 / Box

CTN1725 25G x 4.75" Whitacre Style Spinal Needle,
17G x 3.5" Tuohy Epidural Needle
with Removable Wing

CTN1827 27G x 4.75" Whitacre Style Spinal Needle,
18G x 3.5" Tuohy Epidural Needle
with Removable Wing

ONS1725 25G x 6" Whitacre Style Spinal Needle,
17G x 4.75" Tuohy Epidural Needle
with Removable Wing

Quality Innovation Economy

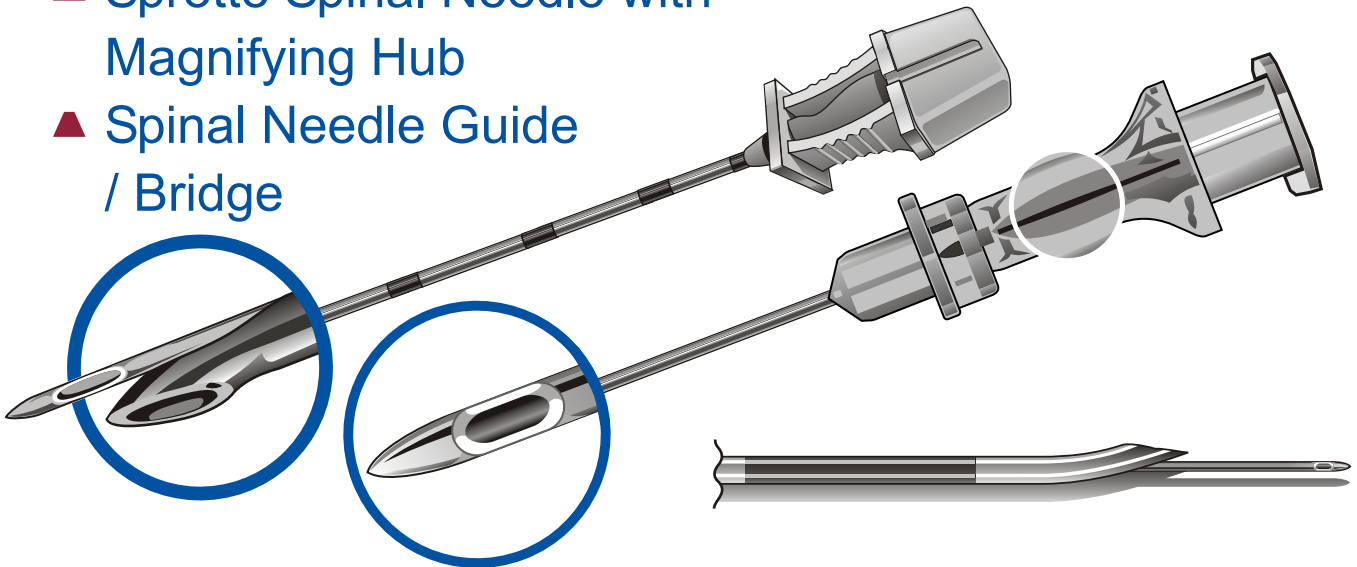
9000 Westmont Drive • Stonehouse Commerce Park • Toano, Virginia 23168 • USA
Phone: 888-564-7153 • 757-566-3510 • Fax: 757-566-4287 • Website: www.avidmedical.com



AVID MEDICAL
INCORPORATED

CSE, Epispin II Safety Combined Spinal / Epidural

- ▲ Tuohy Epidural Needle with Back Hole
- ▲ Sprotte Spinal Needle with Magnifying Hub
- ▲ Spinal Needle Guide / Bridge



10 / Box

| | |
|------------|---|
| 0011351-20 | 17G x 3.5" Tuohy Needle with Back Hole 25G x 5.35" Sprotte® Spinal Needle w/Magnifying Hub, Guide or Stop |
| 0011351-18 | 18G x 3.5" Tuohy Needle with Back Hole 25G x 5.35" Sprotte® Spinal Needle w/Magnifying Hub, Guide or Stop |
| 0011351-30 | 18G x 3.5" Tuohy Needle with Back Hole 27G x 5.35" Sprotte® Spinal Needle w/Magnifying Hub, Guide or Stop |

Quality Innovation Economy

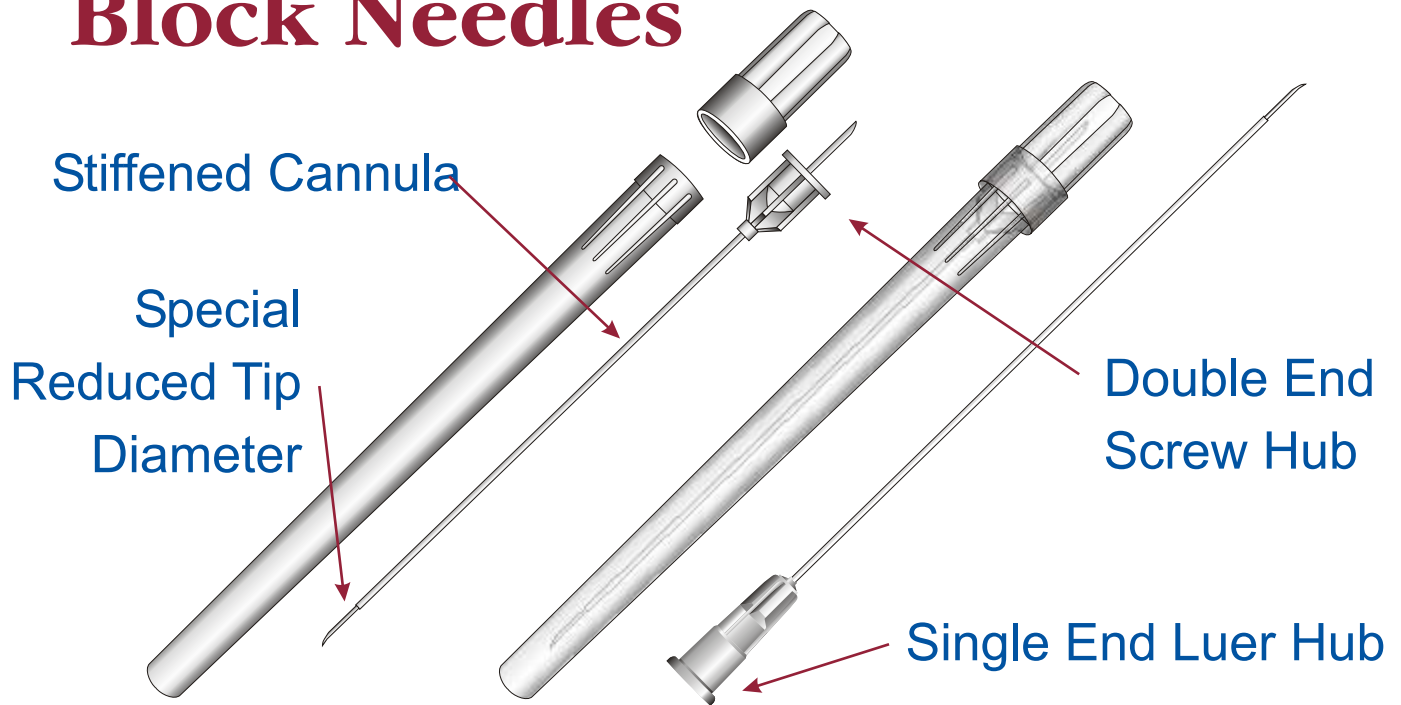
9000 Westmont Drive • Stonehouse Commerce Park • Toano, Virginia 23168 • USA
Phone: 888-564-7153 • 757-566-3510 • Fax: 757-566-4287 • Website: www.avidmedical.com



AMD MEDICAL

INCORPORATED

Endo Cervical Block Needles



10 / Box

RPCA2735A 27G x 3.5" Single End Luer Hub

RCAD2735 27G x 3.5" Double End Screw Hub

Quality Innovation Economy

9000 Westmont Drive • Stonehouse Commerce Park • Toano, Virginia 23168 • USA
Phone: 888-564-7153 • 757-566-3510 • Fax: 757-566-4287 • Website: www.avidmedical.com



AMD MEDICAL

INCORPORATED

Metal Hub Huber Needles

▲ Straight, Non-Coring



10 / Box

MHSH2002 20G x 2"

MHSH2215 22G x 1.5"

MHSH2202 22G x 2"

Quality Innovation Economy

9000 Westmont Drive • Stonehouse Commerce Park • Toano, Virginia 23168 • USA
Phone: 888-564-7153 • 757-566-3510 • Fax: 757-566-4287 • Website: www.avidmedical.com



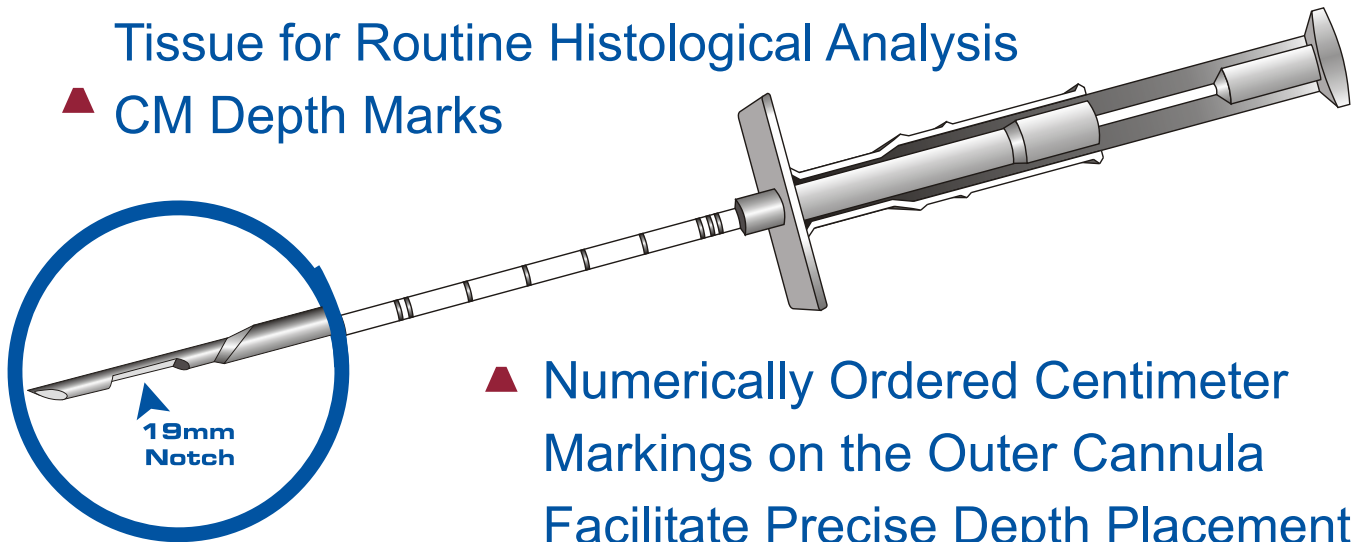
AMD MEDICAL

INCORPORATED

Histocut Biopsy Needles

Diagnostic quality histological specimens from organ or soft tissue

- ▲ Traditional Notched Style "Guillotine Style" Biopsy Needle
- ▲ 19mm Specimen Notch (Slot) Accommodates Enough Tissue for Routine Histological Analysis
- ▲ CM Depth Marks



- ▲ Numerically Ordered Centimeter Markings on the Outer Cannula Facilitate Precise Depth Placement

5 / Box

| | |
|---------|--------------|
| HC1410I | 14 Ga x 10cm |
| HC1416I | 14 Ga x 16cm |
| HC1610I | 16 Ga x 10cm |
| HC1616I | 16 Ga x 16cm |
| HC1810I | 18 Ga x 10cm |
| HC1816I | 18 Ga x 16cm |

Quality Innovation Economy

9000 Westmont Drive • Stonehouse Commerce Park • Toano, Virginia 23168 • USA
Phone: 888-564-7153 • 757-566-3510 • Fax: 757-566-4287 • Website: www.avidmedical.com